

ES 68 SERIES 精智系列

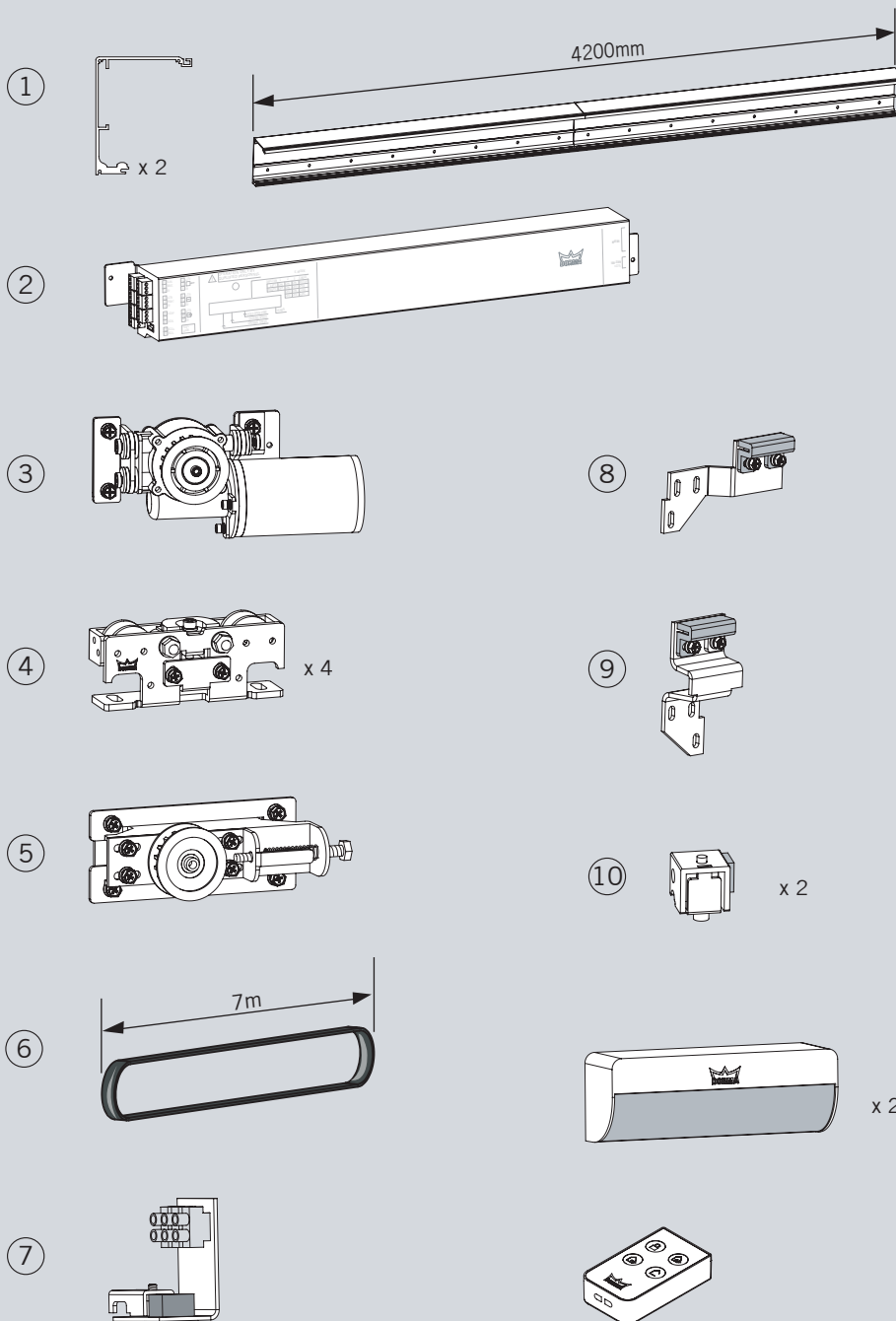
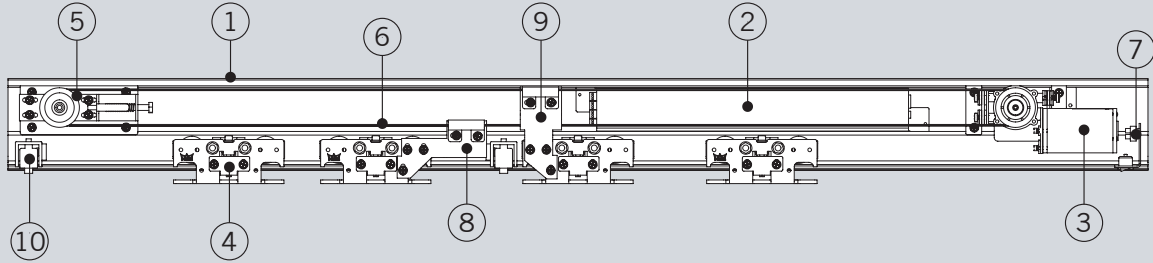


Mounting Instructions 安装说明

01 / 16

! Installation is to be carried out by trained professionals (e.g. electricians) only!
安装人士均应受过培训，并通过相关技能考核（如：专业电工）！

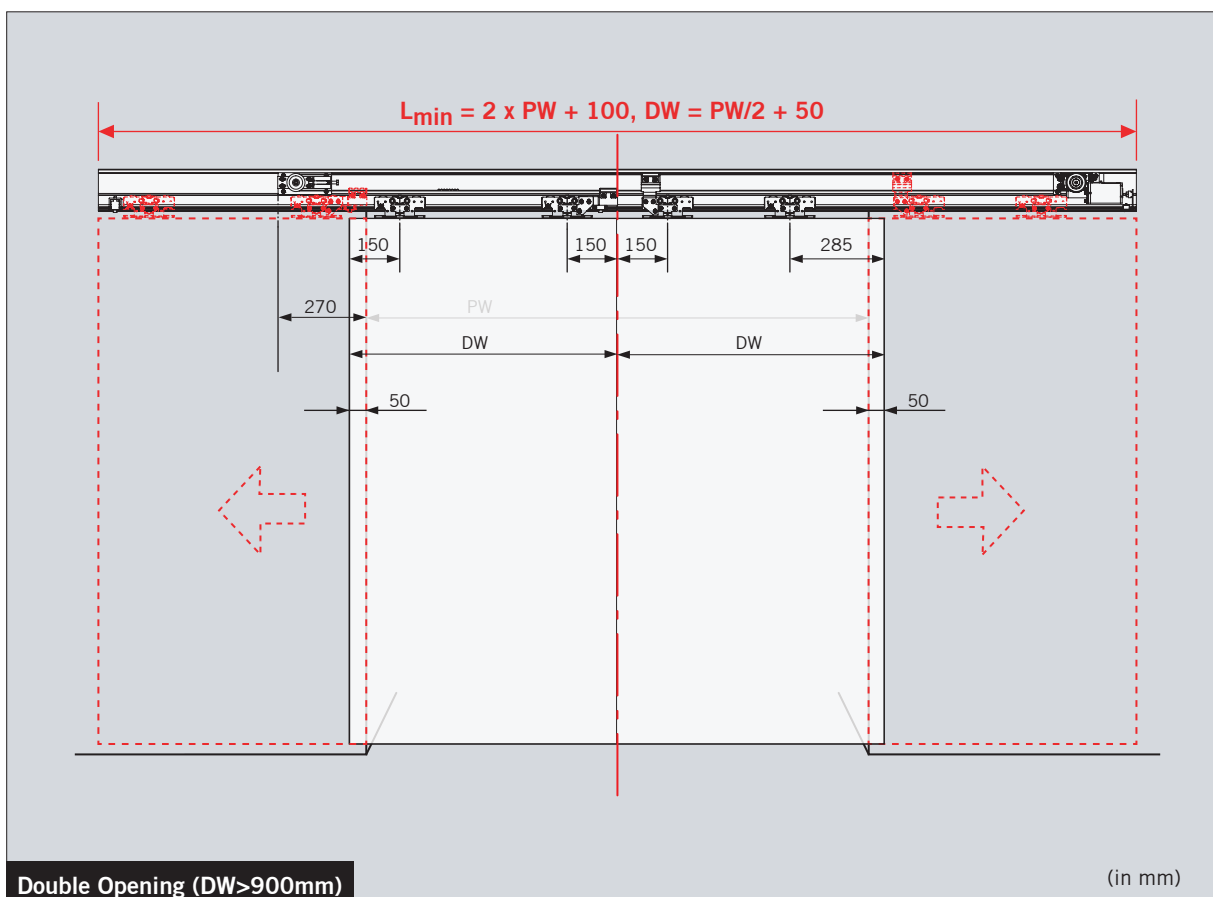
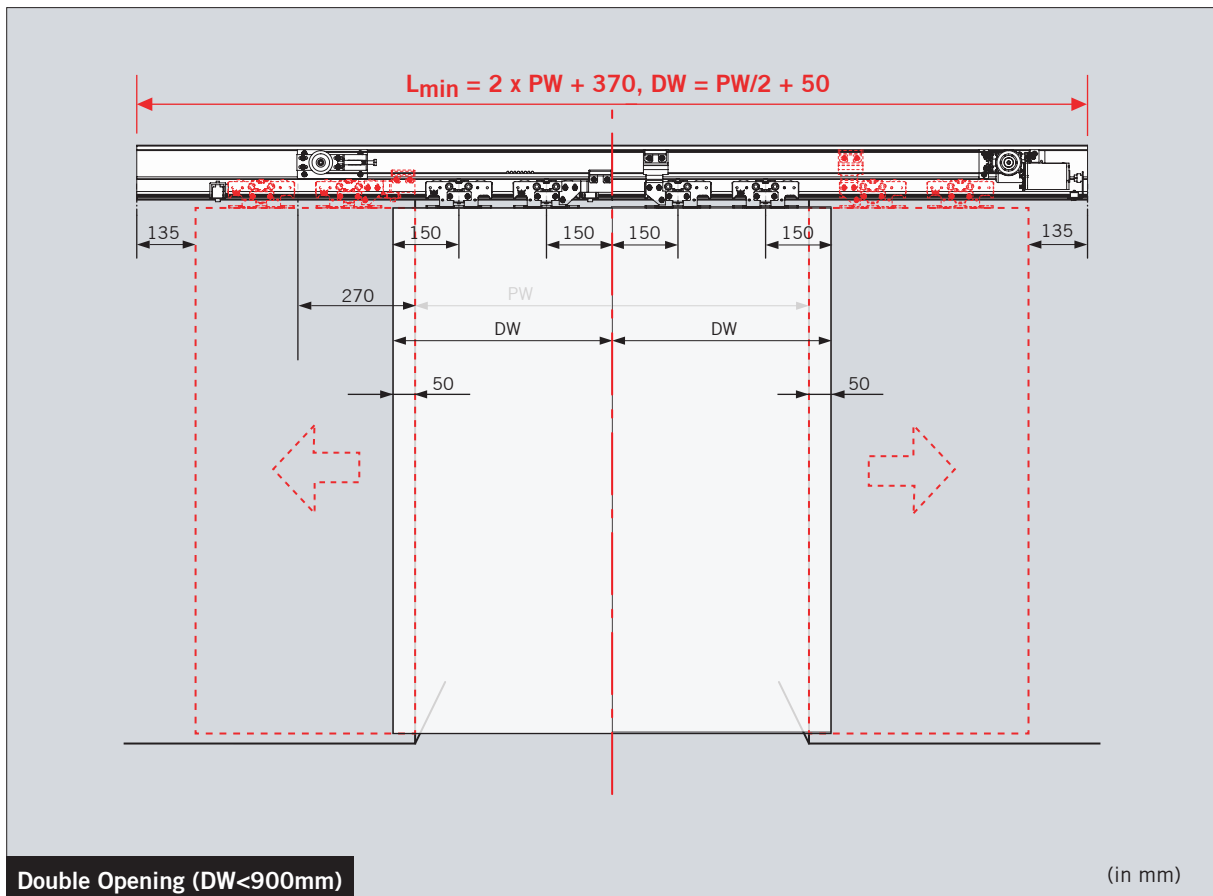
560166-01140



Package Contents

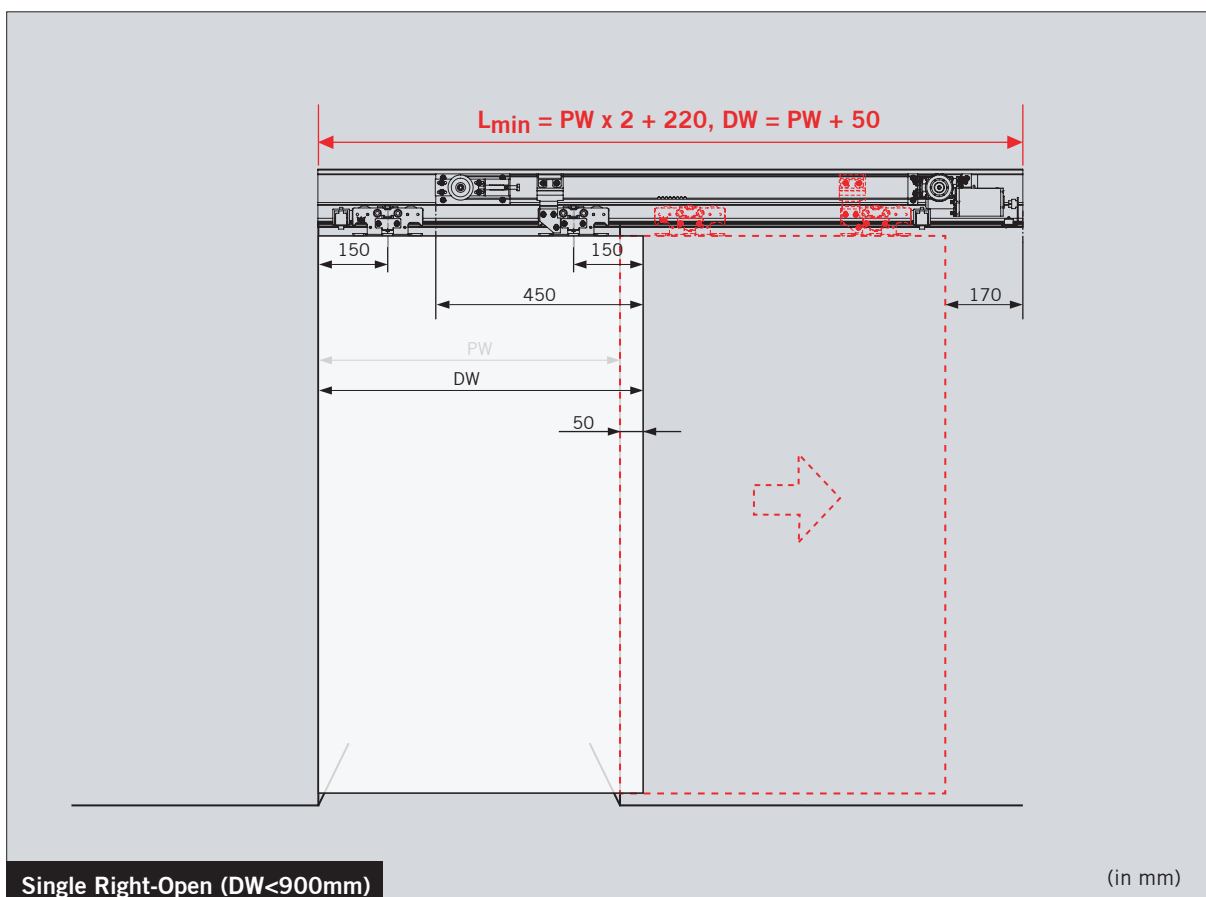
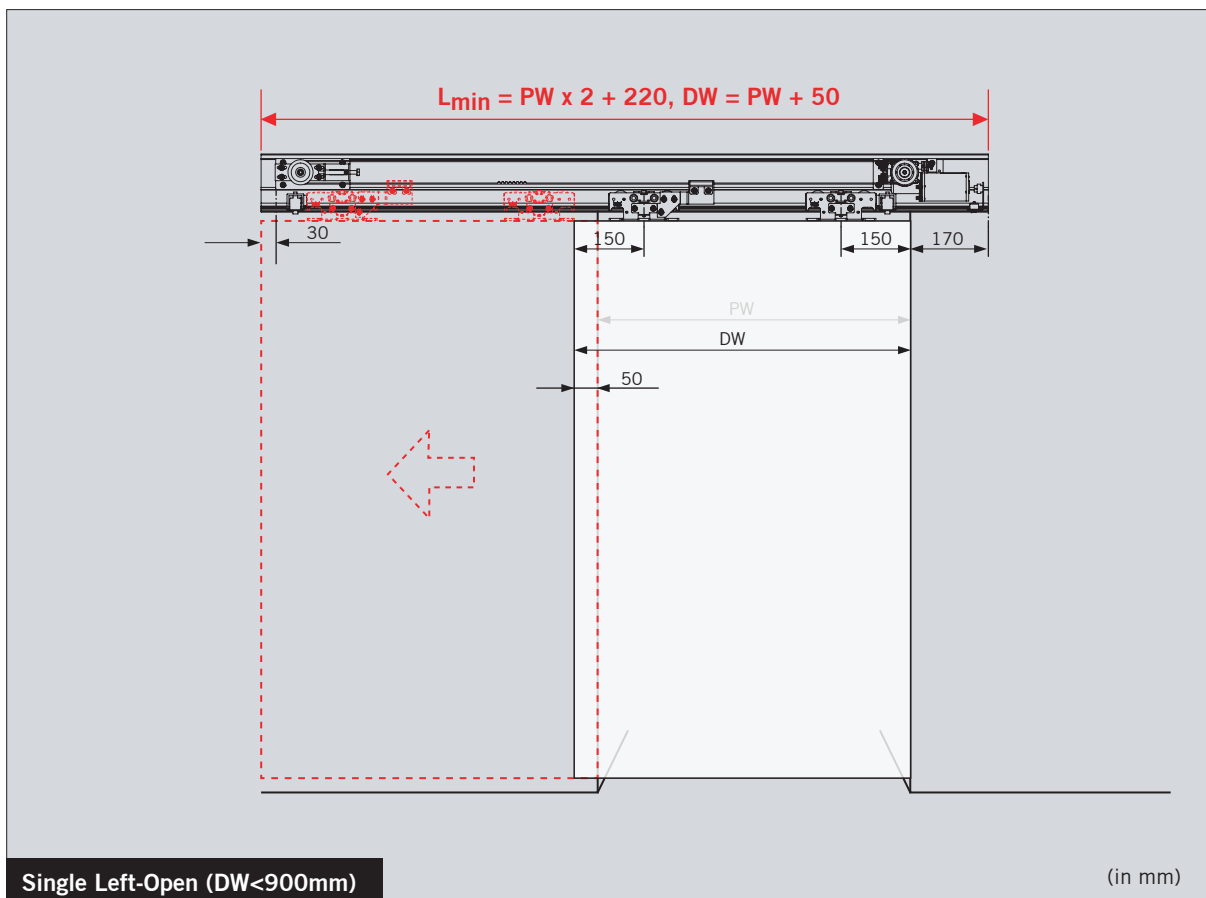
01 / 16

560166-01140



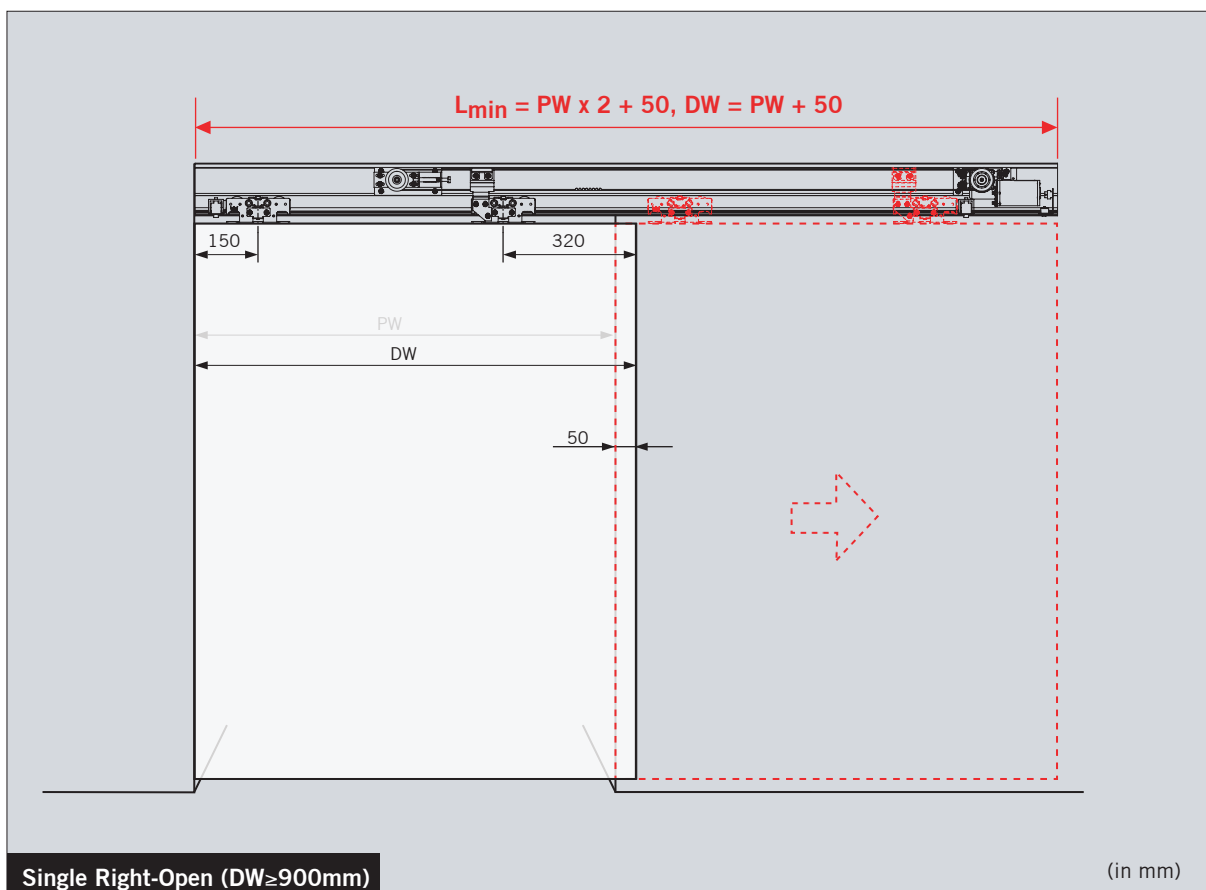
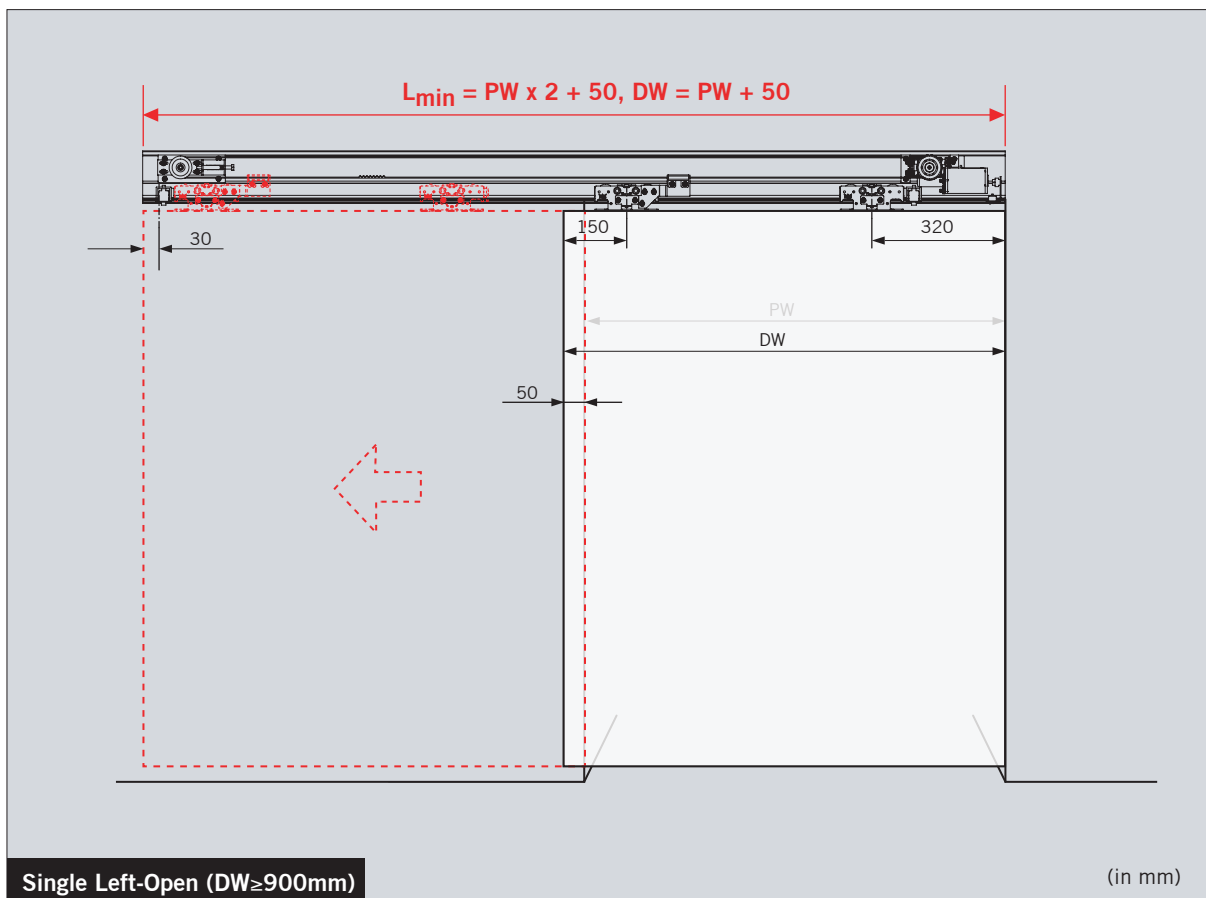
01 / 16

560166-01140



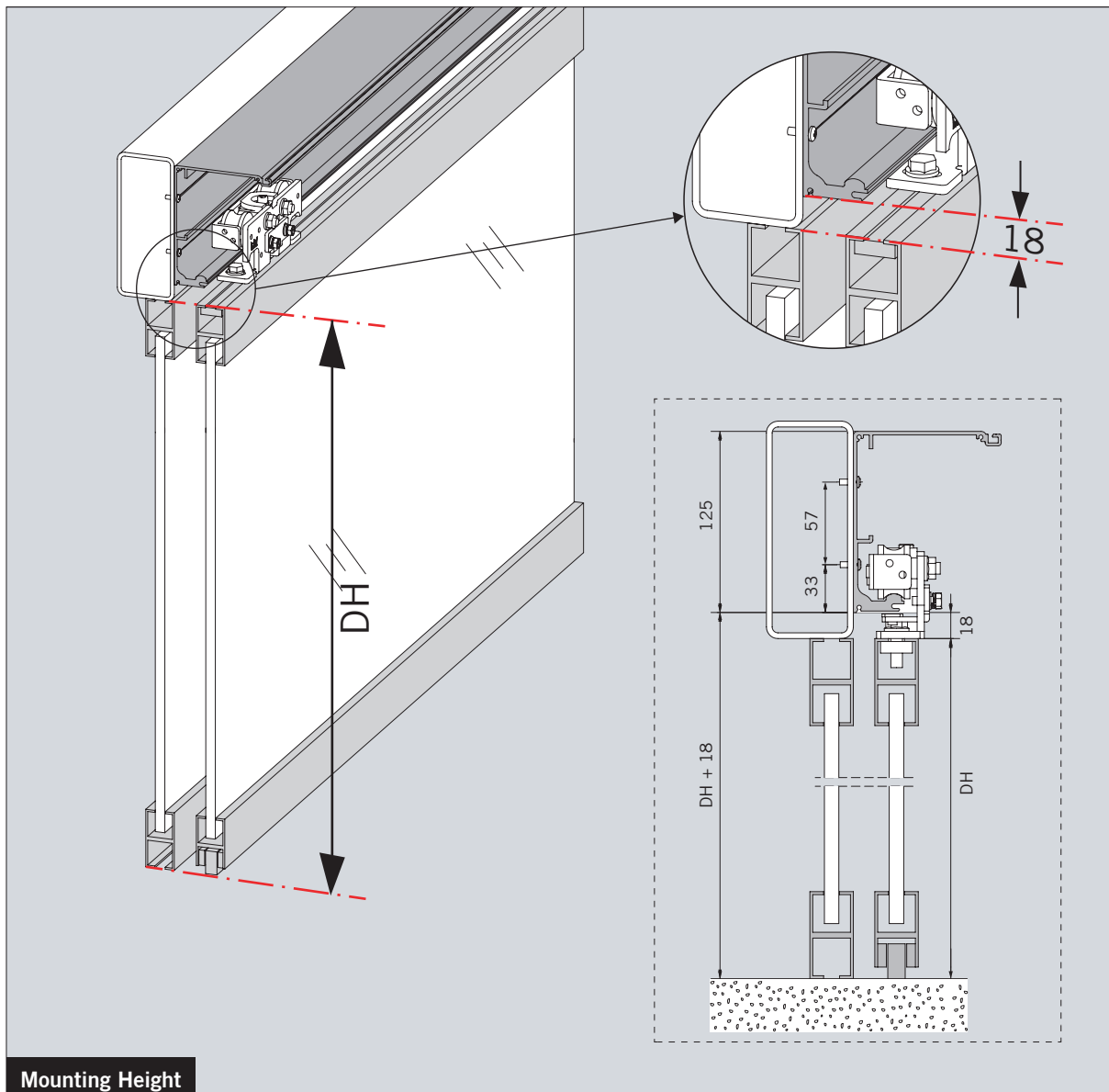
01 / 16

560166-01140

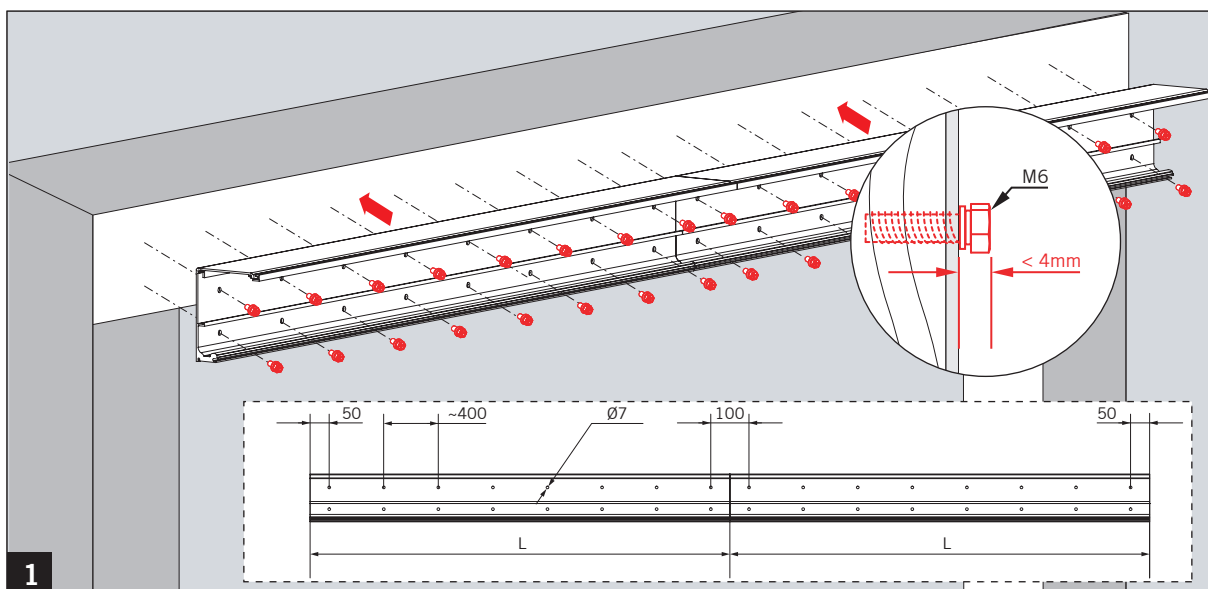


01 / 16

560166-01140



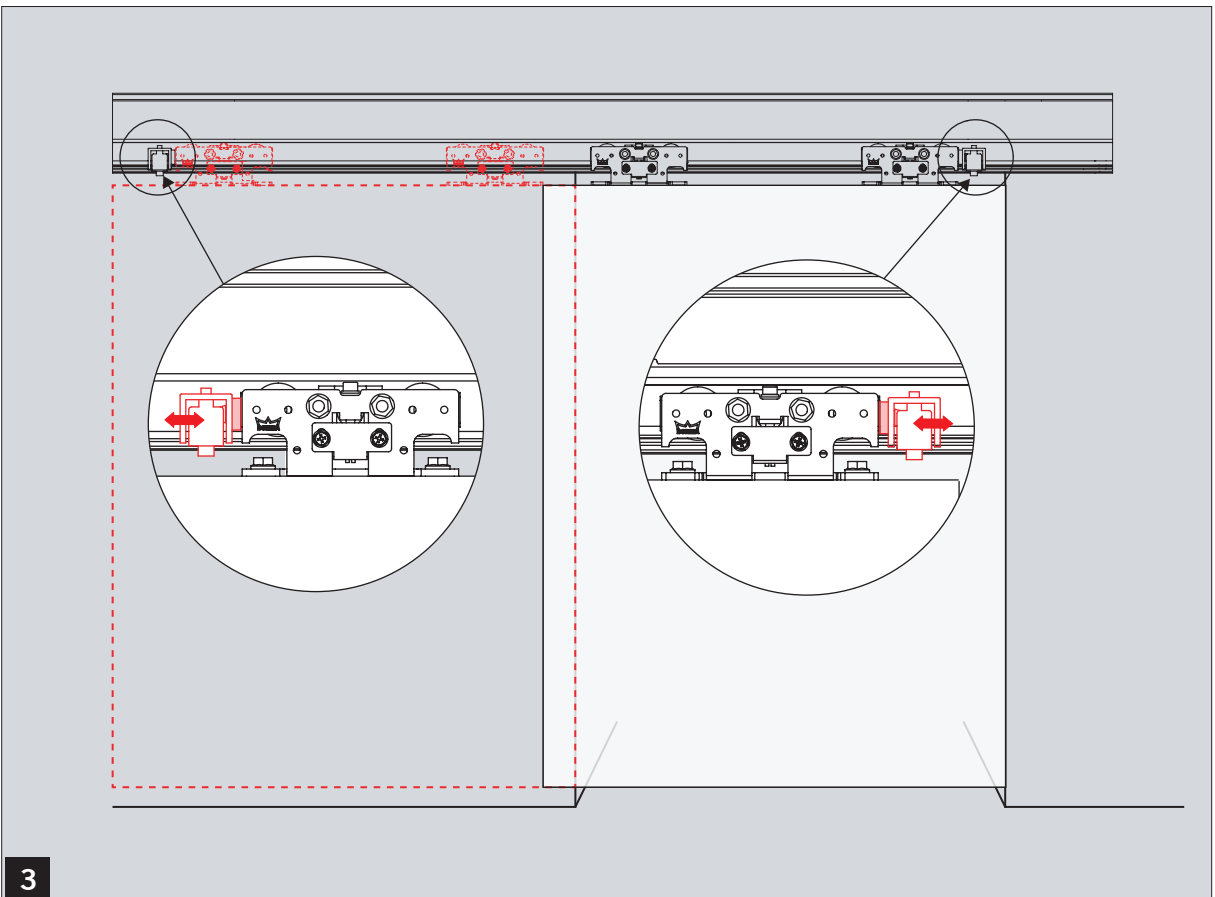
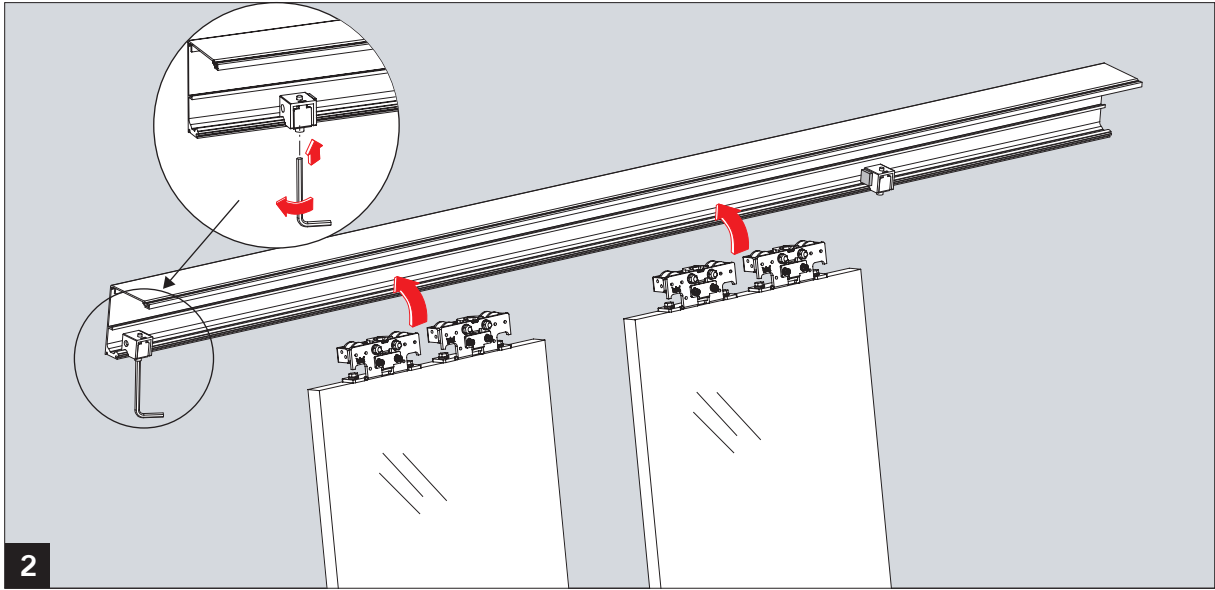
Mounting Height



1

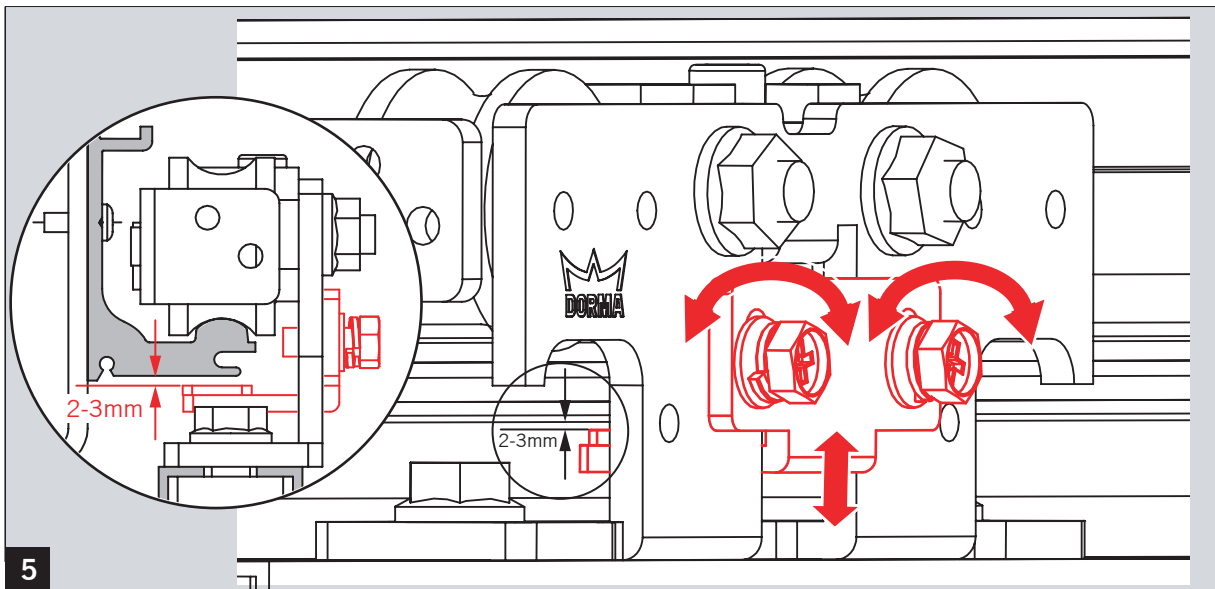
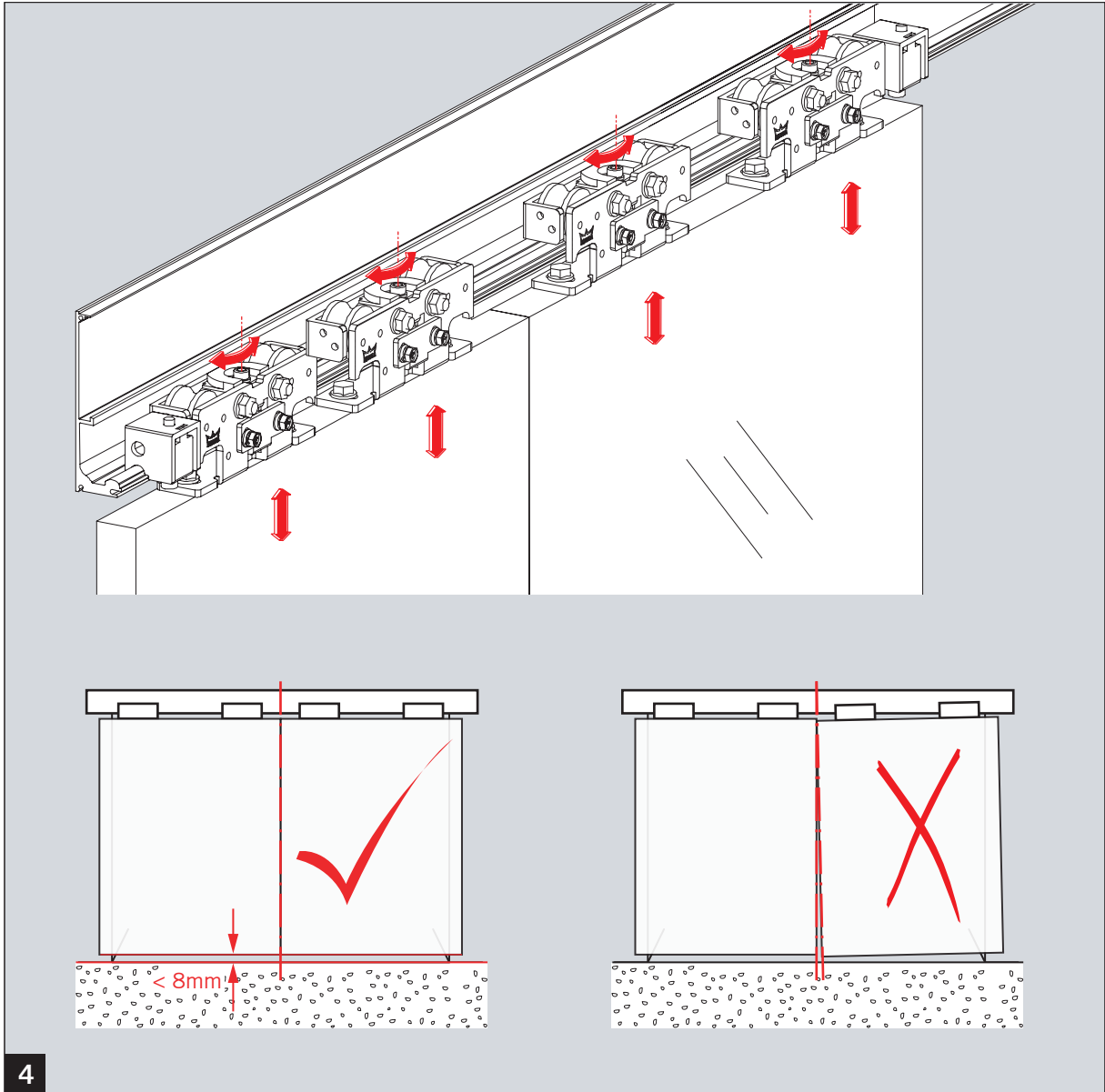
01 / 16

560166-01140

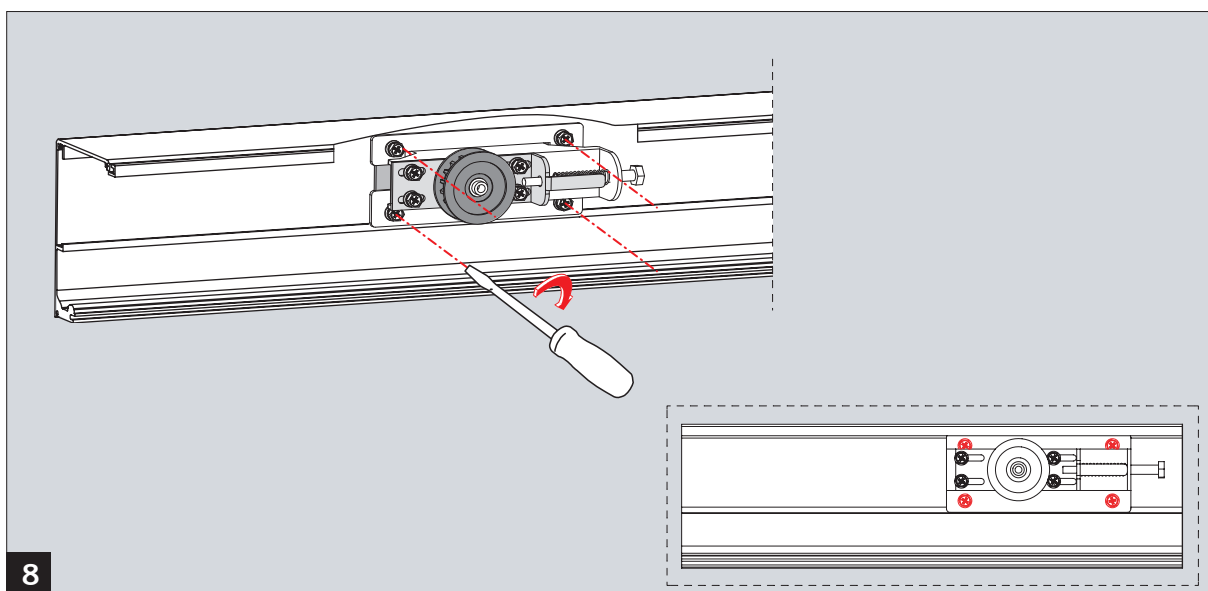
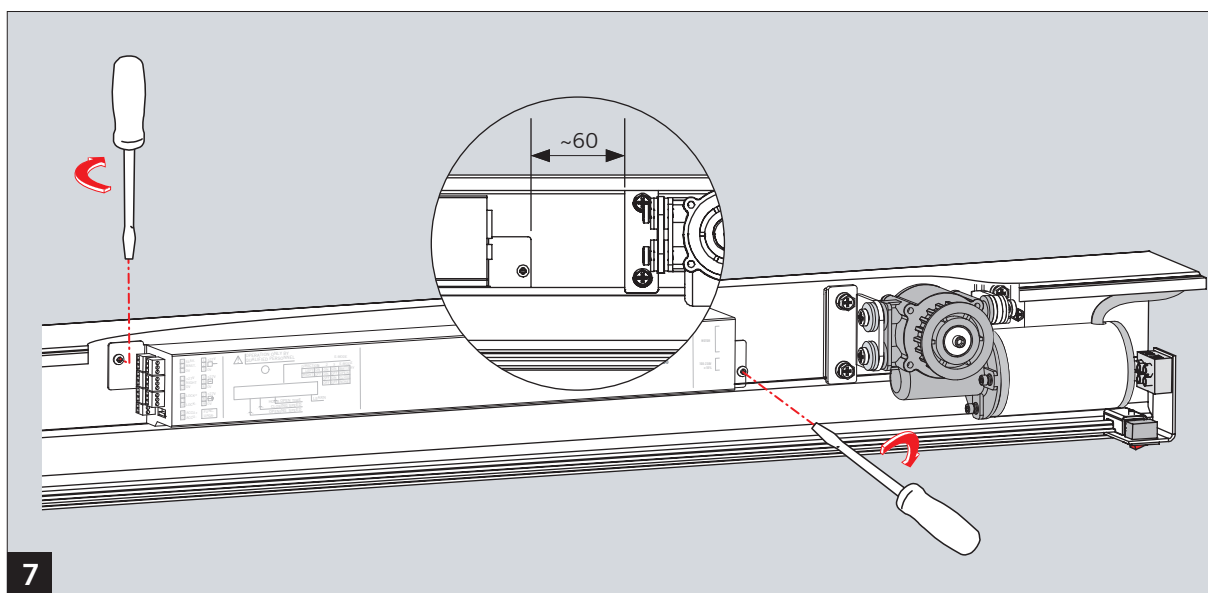
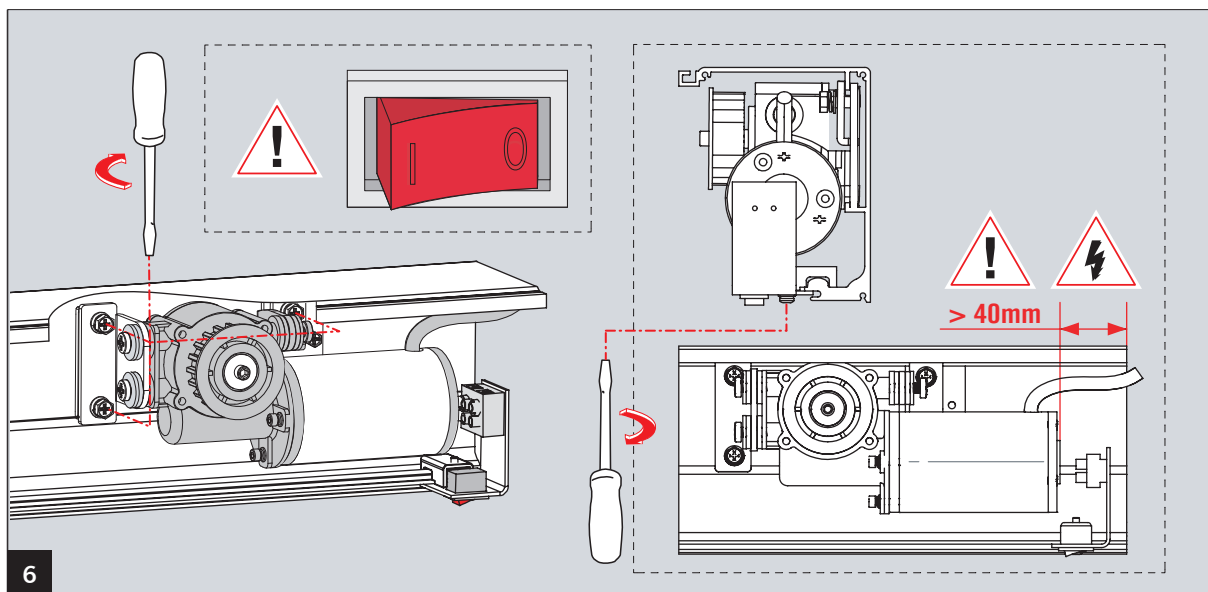


01 / 16

560166-01140

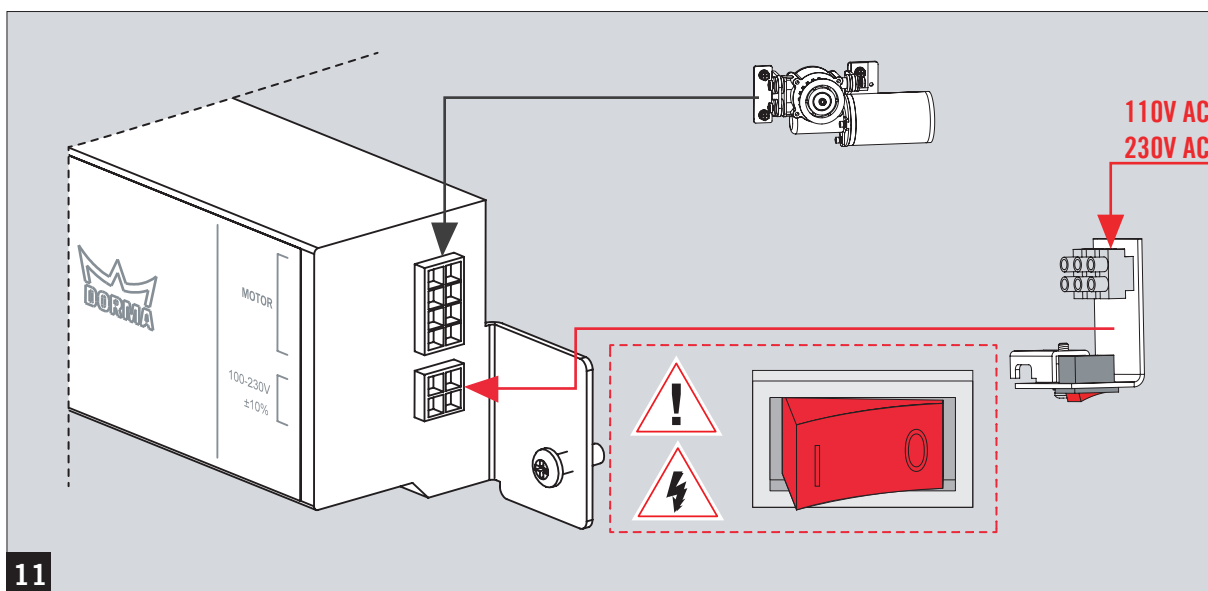
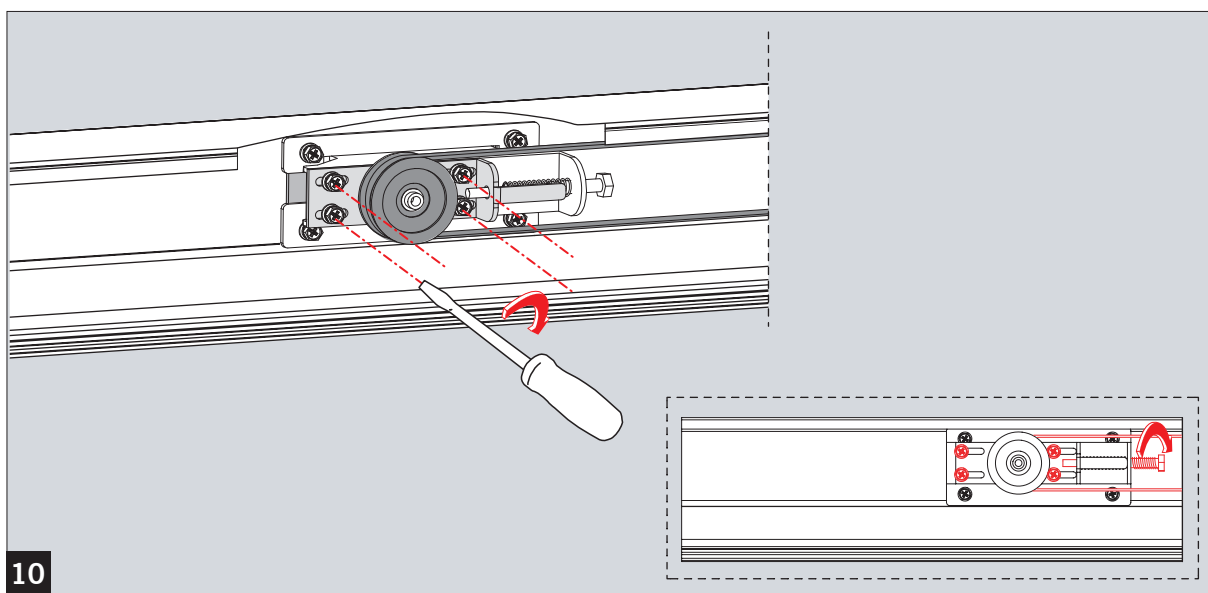
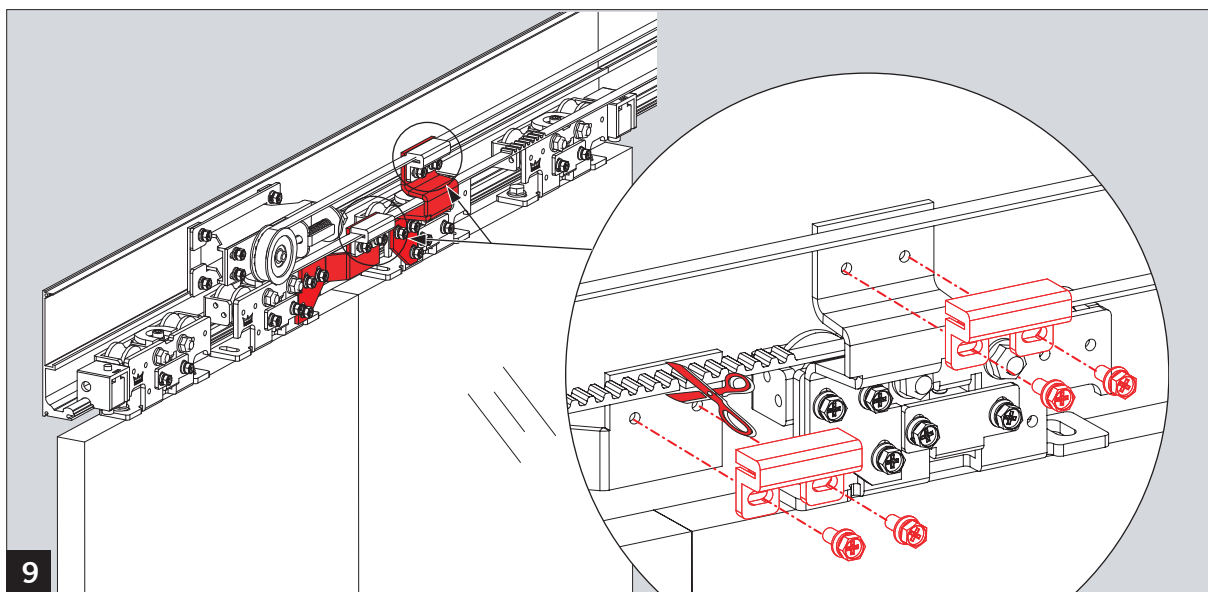


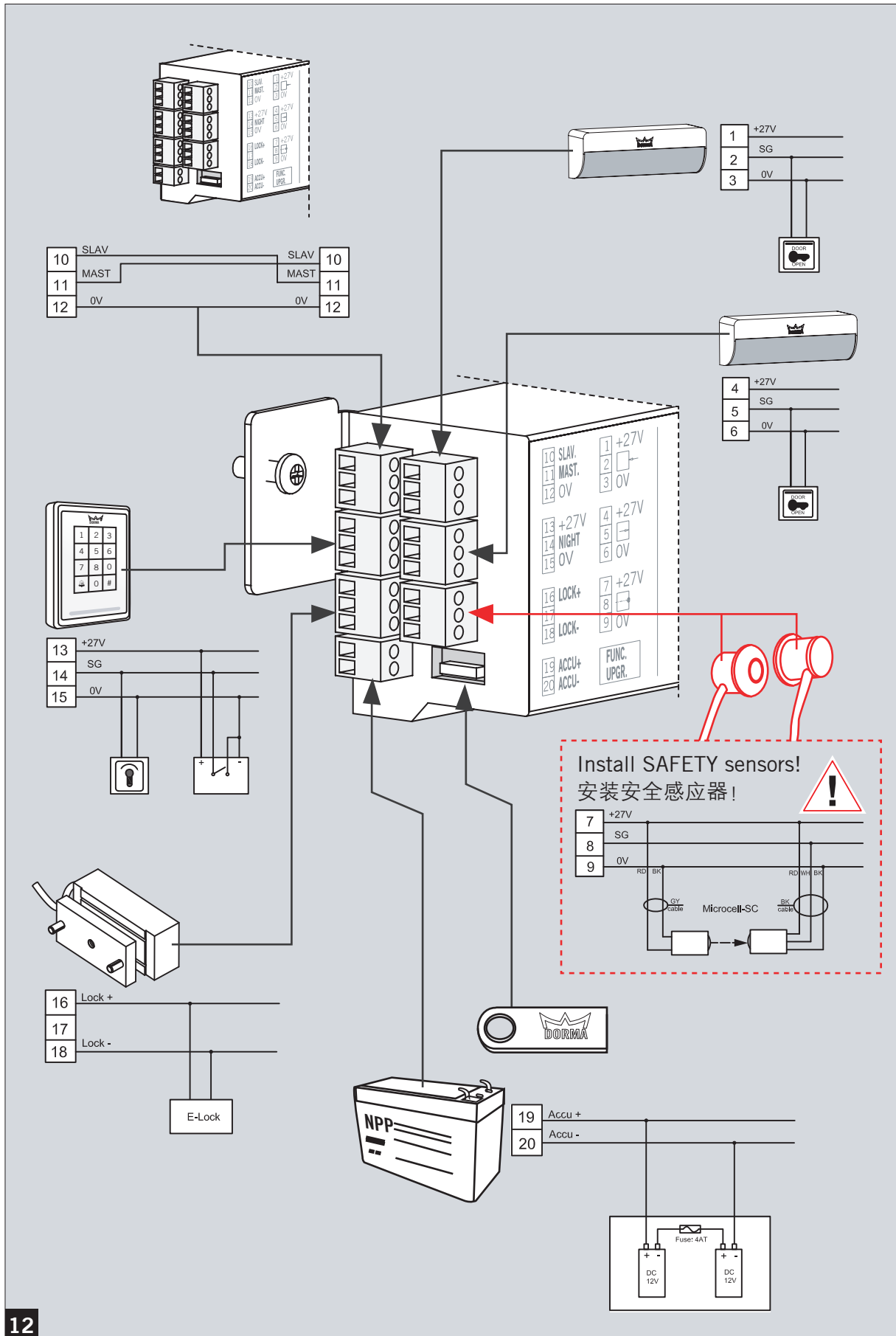
560166-01140 01 / 16



01 / 16

560166-01140

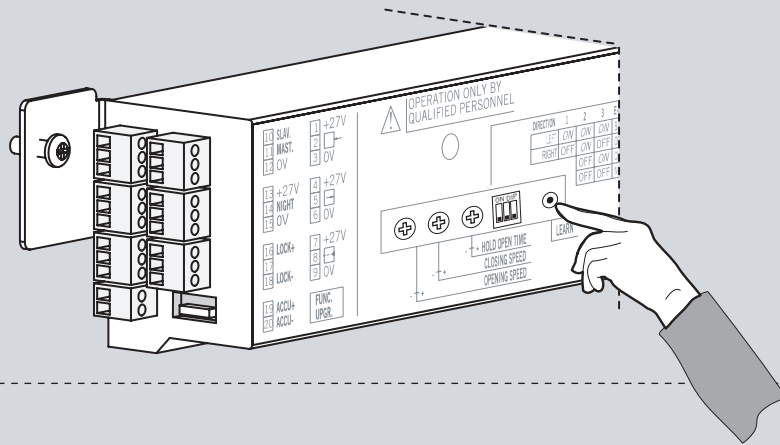
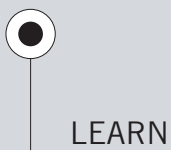
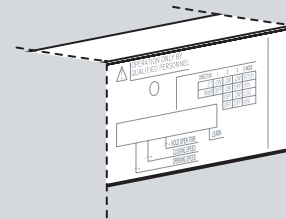




01 / 16

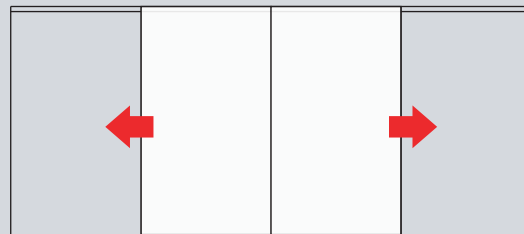
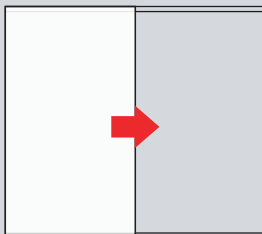
560166-01140

DIRECTION	1	2	3	E-MODE
RIGHT	ON	ON	ON	BATTERY
LEFT	OFF	ON	OFF	OPEN
		OFF	ON	CLOSE
		OFF	OFF	NONE



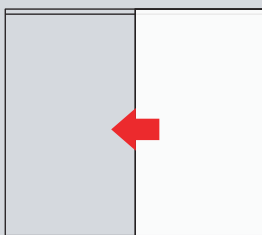
DIRECTION

RIGHT ON



DIRECTION

LEFT OFF



Troubleshooting 故障诊断

Error 故障描述	Possible Cause 可能原因	Measures 措施
Door stops working 门停止运行	Power failure 电源故障	Check if power supply complies with requirements. 检查系统电源是否符合要求。
	Door obstruction 门被阻挡	Check if there is obstruction causing the operator to go into safe mode. 检查门是否被其它物体阻挡导致系统处理保护状态。
	Safe mode activated 触发安全功能	Check if light barrier/light curtain is functioning properly. 如果安装电眼，检查电眼是否被遮挡或者损坏。
	Power connection 电气连接不良	Check if power is properly connected. 电气连接不良，导致控制器损坏。
	Motor not connected 马达未连接	Check if motor is correctly connected to controller. 检查马达线是否正确连接到控制器上面。
	Motor gearbox 马达齿轮箱	Push door manually to check if motor gearbox is blocked. 用手推门，检查马达齿轮箱是否被卡死。
	Activator 内、外雷达或者按钮	Check if activator is constantly activated. 检查内、外雷达或者按钮是否一直处理被触发的状态。
	Controller error 控制器故障	Check if the controller LED is lighted green or red. 检查控制器上绿色指示灯是否亮。
Opening / Closing not smooth 开、关过程不顺畅	Too much friction 系统阻力过大	Ensure system is completely powered off. Check if there is dirt on track or on carrier wheels. Check if floor guide is correctly installed and not rubbing against the door panel. 切断系统电源，如果安装电池，拔掉控制器上面的电池接头。 检查轨道和吊轮上是否有灰尘。 检查地导是否正确安装以及地导与门之间间距是否过小，导致地导与门之间的摩擦力过大。
	Speed is too low 设定速度过低	Adjust opening/closing speed using the potentiometers. 调节开、关速度并加以验证。
Door closes on its own 门自动开关	Activator self-triggers 传感器自感	Check if activator is too close to door. Check if activator connection is loose. Check if there is air-conditioning outlet nearby. Check if there is a high power device nearby. 检查传感器是否距离门扇太近。 检查传感器接线是否松动。 传感器附近有没有空调出风口。 传感器附近有没有大功率设备。
Door panels clash 门体相撞	Self-learning incomplete 没有正确学习	Press LEARN button or power off and on again to restart self-learning. 重新学习一次。
	End stop position 止门器位置	Check if end stop is at the right position. 检查止门器是否在合适的位置。
	Belt or belt clip 皮带和皮带扣	Check if belt or belt clip is loose. 检查皮带是不是过松以及皮扣有没有固定。